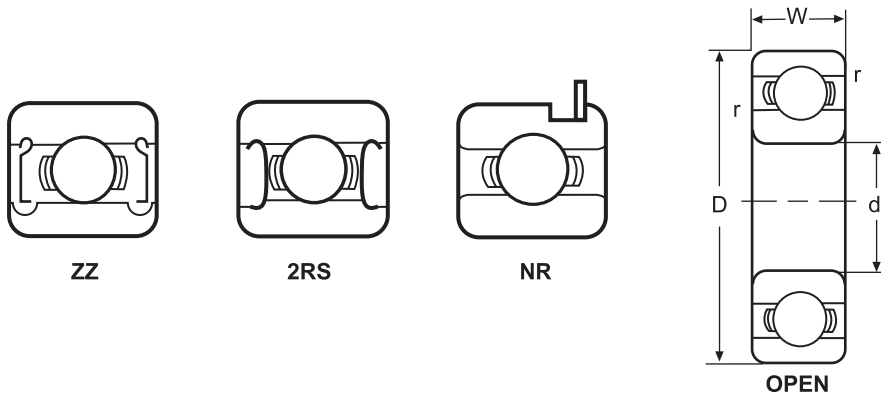


SINGLE ROW RADIAL BALL BEARINGS

6300 SERIES



Bearing No.	Bore d		Outer Diameter D		Width W		Radius r		Basic Load Rating lbs.		Weight lbs.
	mm	in.	mm	in.	mm	in.	mm	in.	Dynamic C	Static C ₀	
6300	10	.3937	35	1.3780	11	.4331	1.0	.039	1840	785	.117
6301	12	.4724	37	1.4567	12	.4724	1.5	.059	2180	940	.132
6302	15	.5906	42	1.6535	13	.5118	1.5	.059	2570	1220	.181
6303	17	.6693	47	1.8504	14	.5512	1.5	.059	3050	1470	.254
6304	20	.7874	52	2.0472	15	.5906	2.0	.079	3600	1770	.317
6305	25	.9843	62	2.4409	17	.6693	2.0	.079	4750	2460	.511
6306	30	1.1811	72	2.8346	19	.7480	2.0	.079	6000	3400	.763
6307	35	1.3780	80	3.1496	21	.8268	2.5	.098	7500	4300	1.01
6308	40	1.5748	90	3.5433	23	.9055	2.5	.098	9150	5400	1.40
6309	45	1.7717	100	3.9370	25	.9843	2.5	.098	11900	7200	1.84
6310	50	1.9685	110	4.3307	27	1.0630	3.0	.118	13900	8600	2.36
6311	55	2.1654	120	4.7244	29	1.1417	3.0	.118	16100	10100	3.02
6312	60	2.3622	130	5.1181	31	1.2205	3.5	.138	18400	11700	3.75
6313	65	2.5591	140	5.5118	33	1.2992	3.5	.138	20800	13400	4.59
6314	70	2.7559	150	5.9055	35	1.3780	3.5	.138	23400	15300	5.56
6315	75	2.9526	160	6.2992	37	1.4567	3.5	.138	25500	17400	6.66
6316	80	3.1496	170	6.6929	39	1.5354	3.5	.138	27600	19500	7.91
6317	85	3.3465	180	7.0866	41	1.6142	4.0	.157	29800	21800	9.33
6318	90	3.5433	190	7.4803	43	1.6929	4.0	.157	32000	24100	10.8
6319	95	3.7402	200	7.8740	45	1.7717	4.0	.157	34500	26600	12.5
6320	100	3.9370	215	8.4646	47	1.8504	4.0	.157	39000	31500	15.4
6321	105	4.1339	225	8.8583	49	1.9291	4.0	.157	41500	34500	17.7
6322	110	4.3307	240	9.4488	50	1.9685	4.0	.157	40000	40500	21.0
6324	120	4.7244	260	10.2362	55	2.1654	4.0	.157	46500	41500	27.3

Larger sizes or New size available upon request