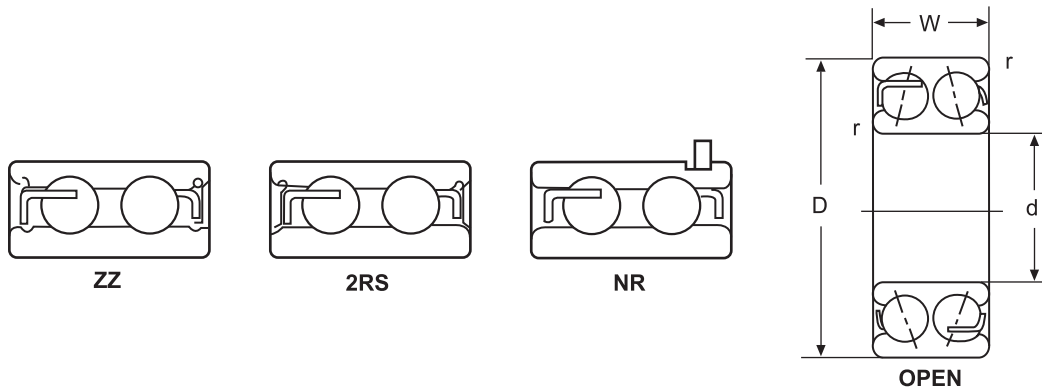


# DOUBLE ROW ANGULAR CONTACT BALL BEARINGS

## 5300, W5300 NON FILLING SLOT TYPE SERIES



Bearing No.	Bore d		Outer Diameter D		Width W			Radius r		Basic Load Rating lbs.		Weight lbs.
	mm	in.	mm	in.	mm	fraction	in.	mm	in.	Dynamic C	Static C <sub>0</sub>	
5300	10	.3937	35	1.3780	19.0	3/4	.7500	0.6	.024	1731	1224	0.22
5301	12	.4742	37	1.4567	19.0	3/4	.7500	1.1	.043	1996	1389	0.23
5302	15	.5906	42	1.6535	19.0	3/4	.7500	1.5	.059	3850	2260	0.38
5303	17	.6693	47	1.8504	22.2	7/8	.8740	1.5	.059	4600	2720	0.49
5304	20	.7874	52	2.0472	22.2	7/8	.8740	2.0	.079	4650	2850	0.51
W5304	20	.7874	52	2.0472	25.4	1	1.0000	2.0	.079	4650	2850	0.54
5305	25	.9843	62	2.4409	25.4	1	1.0000	2.0	.079	6850	4600	0.75
W5305	25	.9843	62	2.4409	29.6	1-1/8	1.1250	2.0	.079	6850	4600	0.89
5306	30	1.1811	72	2.8346	30.2	1-3/16	1.1890	2.0	.079	8900	6200	1.13
W5306	30	1.1811	72	2.8346	33.3	1-5/16	1.3125	2.0	.079	8900	6200	1.41
5307	35	1.3780	80	3.1496	34.9	1-3/8	1.3740	2.5	.098	11100	7850	1.74
W5307	35	1.3780	80	3.1496	38.1	1-1/2	1.5000	2.5	.098	11100	7850	1.89
5308	40	1.5748	90	3.5433	36.5	1-7/16	1.4370	2.5	.098	13600	9850	2.32
5309	45	1.7717	100	3.9370	39.7	1-9/16	1.5630	2.5	.098	16300	12100	3.10
5310	50	1.9685	110	4.3307	44.4	1-3/4	1.7480	3.0	.118	19200	14500	4.00
5311	55	2.1654	120	4.7244	49.2	1-15/16	1.9370	3.0	.118	23900	18500	5.11
5312	60	2.3622	130	5.1181	54.0	2-1/8	2.1260	3.5	.138	27300	21400	6.72
5313	65	2.5591	140	5.5118	58.7	2-5/16	2.3110	3.5	.138	31000	24600	8.60
5314	70	2.7559	150	5.9055	63.5	2-1/2	2.5000	3.5	.138	35000	28000	10.80
5315	75	2.9528	160	6.2992	68.3	2-11/16	2.6890	3.5	.138	38000	31500	12.10
5316	80	3.1496	170	6.6929	68.3	2-11/16	2.6890	3.5	.138	42000	34500	15.00