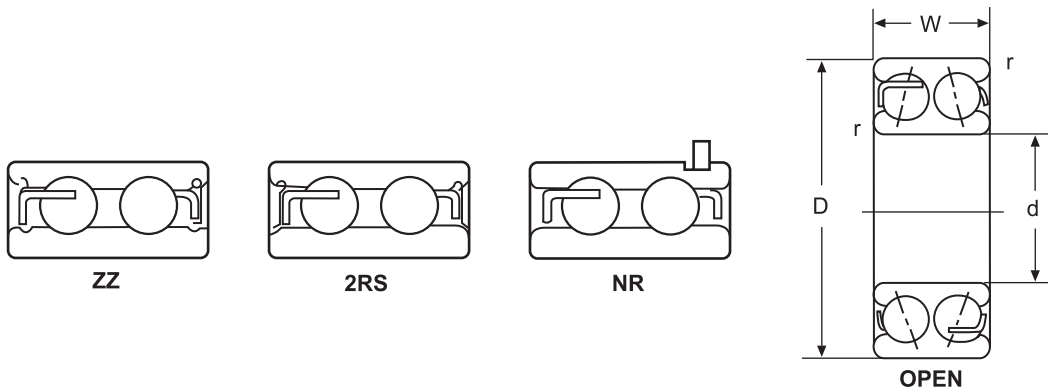


DOUBLE ROW ANGULAR CONTACT BALL BEARINGS

5200, W5200 NON FILLING SLOT TYPE SERIES



Bearing No.	Bore d		Outer Diameter D		Width W			Radius r		Basic Load Rating lbs.		Weight lbs.
	mm	in.	mm	in.	mm	fraction	in.	mm	in.	Dynamic C	Static C ₀	
5200	10	.3937	30	1.1811	14.3	9/16	.5630	0.8	.032	1560	855	0.13
5201	12	.4724	32	1.2598	15.9	5/8	.6260	0.8	.032	2050	1140	0.16
5202	15	.5906	35	1.3780	15.9	5/8	.6260	1.0	.039	2260	1360	0.18
5203	17	.6693	40	1.5748	17.5	11/16	.6890	1.0	.039	2870	1770	0.20
W5203	17	.6693	40	1.5748	20.6	13/16	.8110	1.0	.039	2870	1770	0.20
5204	20	.7874	47	1.8504	20.6	13/16	.8110	1.5	.059	4300	2710	0.34
W5204	20	.7874	47	1.8504	23.8	15/16	.9375	1.5	.059	4300	1770	0.36
5205	25	.9843	52	2.0472	20.6	13/16	.8110	1.5	.059	4650	3200	0.42
W5205	25	.9843	52	2.0472	23.8	15/16	.9375	1.5	.059	4650	3200	0.45
5206	30	1.1811	62	2.4409	23.8	15/16	.9375	1.5	.059	6450	4600	0.64
W5206	30	1.1811	62	2.4409	27.0	1-1/16	1.0630	1.5	.059	6450	4600	0.74
5207	35	1.3780	72	2.8346	27.0	1-1/16	1.0630	2.0	.079	8500	6250	0.95
W5207	35	1.3780	72	2.8346	30.2	1-3/16	1.1890	2.0	.079	8500	6250	1.21
5208	40	1.5748	80	3.1496	30.2	1-3/16	1.1890	2.0	.079	9600	7250	1.26
5209	45	1.7717	85	3.3465	30.2	1-3/16	1.1890	2.0	.079	10800	8300	1.37
5210	50	1.9685	90	3.5433	30.2	1-3/16	1.1890	2.0	.079	11500	9400	1.48
5211	55	2.1654	100	3.9370	33.3	1-5/16	1.3110	2.5	.098	14200	11900	2.17
5212	60	2.3622	110	4.3307	36.5	1-7/16	1.4370	2.5	.098	16100	13100	2.80
5213	65	2.5591	120	4.7244	38.1	1-1/2	1.5000	2.5	.098	18700	16300	3.46
5214	70	2.7559	125	4.9213	39.7	1-9/16	1.5630	2.5	.098	20400	19700	3.97
5215	75	2.9528	130	5.1181	41.3	1-5/8	1.6260	2.5	.098	20300	18100	4.20
5216	80	3.1496	140	5.5118	44.4	1-3/4	1.7480	3.0	.118	23800	21400	5.50
5217	85	3.3465	150	5.9055	49.2	1-15/16	1.9375	3.0	.118	25100	23900	6.75
5218	90	3.5433	160	6.2992	52.4	2-1/16	2.0630	3.0	.118	31500	29000	8.90